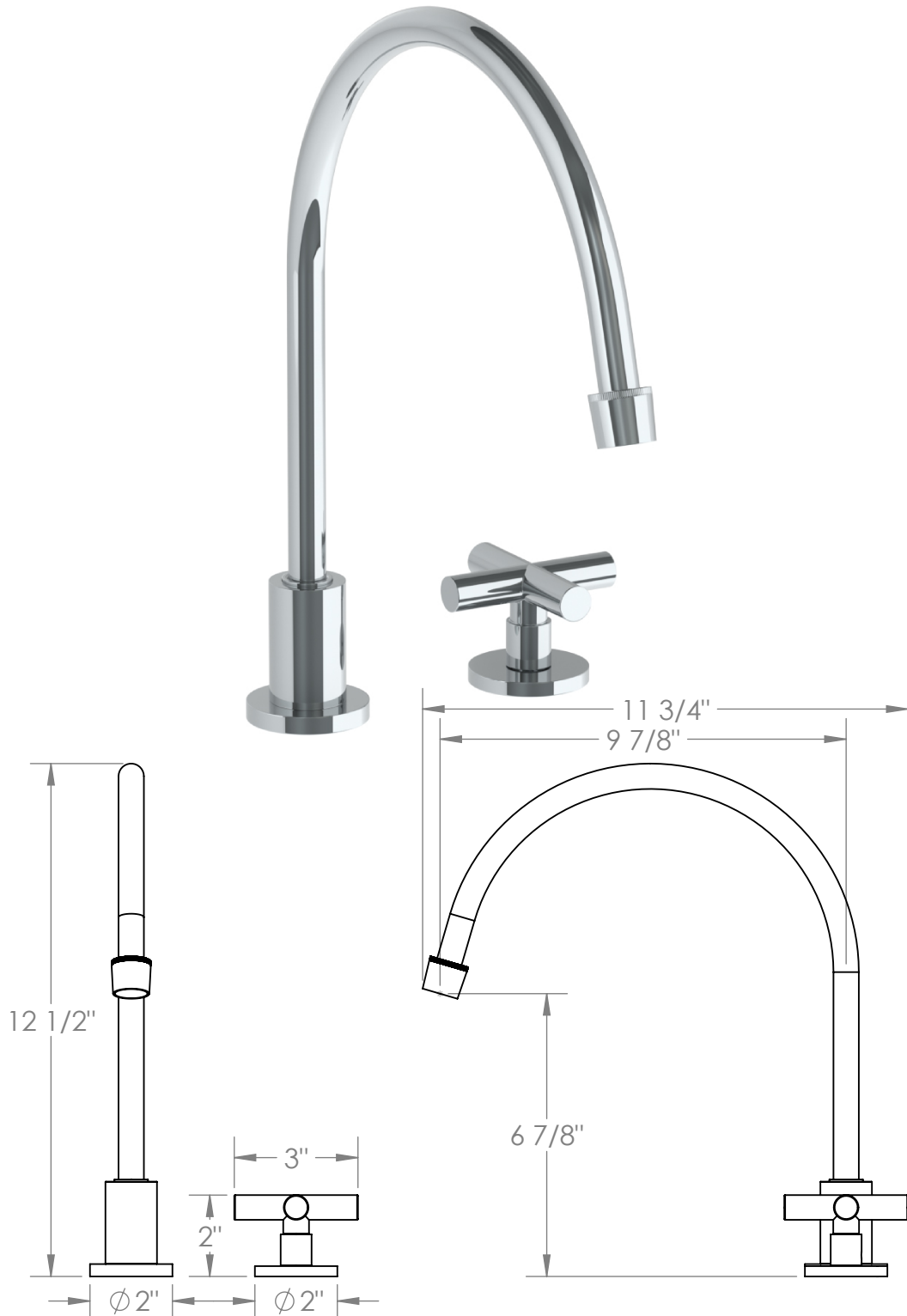


23-7.1.3EG-L9

Deck Mounted 2 Hole Kitchen Set with an Extended Gooseneck Spout

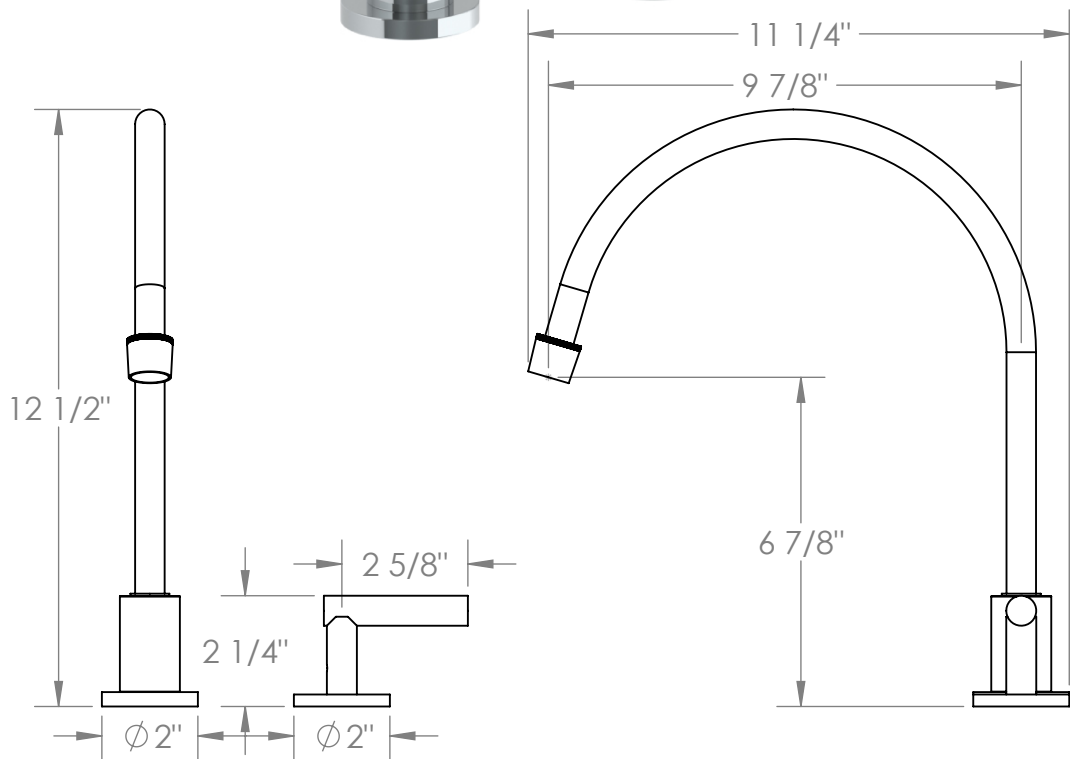
Flow Rate: 1.75 GPM



Meets the applicable requirements of ASME A112.18.1-2005/CSA B125.1-05, entitled "Plumbing Supply Fittings"

23-7.1.3EG-L8

Deck Mounted 2 Hole Kitchen Set with an Extended Gooseneck Spout
Flow Rate: 1.75 GPM



Meets the applicable requirements of ASME A112.18.1-2005/CSA B125.1-05, entitled "Plumbing Supply Fittings"